

# FOS

## Automatic Faucet Ozone System

FOS applies a revolutionary AOP (Advanced Oxidation Process) technology that can convert your regular tap water into an anti-bacterial sanitizing wash water.

The product is designed for easy integration into existing piping offering on-demand and instant sanitation from your tap water. It works to protect against pathogens without using hazardous chemicals.



Model : EOS7177-PF

Image shown is a representation of the product only and variations may occur.



Kitchens



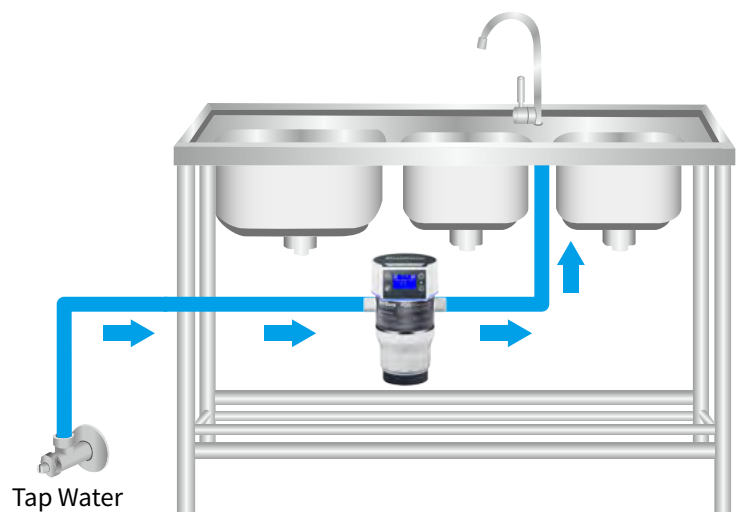
Handwash



Childcare



Clinics

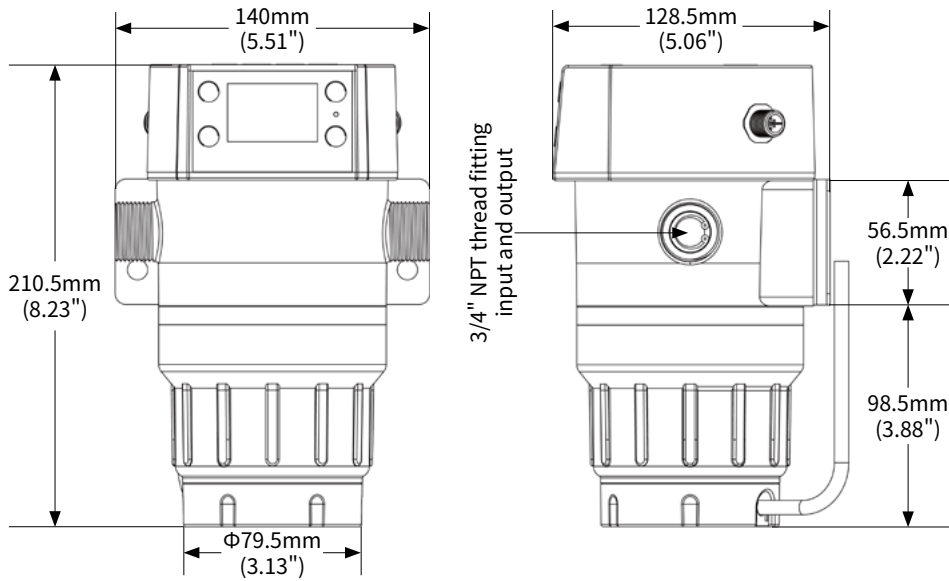


## Features

- Easy integration into existing water supply
- Turning water into powerful natural sanitizer
- Automatic & on-demand sanitation
- Works without handling of chemicals
- Notification for service

## Benefits

- Makes water a chemical free sanitizer
- Protects against waterline biofilm growth
- Reduces costs and labor hours
- Pathogen control including E.Coli and Legionella
- Safe, dissolved activated-oxygen turns to oxygen after killing bacteria



### Cartridge Life

- Approx. 600/1000 hr(EOS7177-PF) , depending upon water quality and operation mode
- Indicator lamp shows status, telling when it is due for replacement

### Warranty

- Limited warranty against defects in materials and workmanship for 2 years
- 1 year parts-only on cartridge
- Normal usage exclusions apply, detailed in Operation Manual

### Shipping & Ordering

- Packaging Size: W22xD19xH27cm (8.7"x7.5"x10.6")
- Gross Weight: 3kg (6.61lbs)
- Loading: 120units per pallet

|                                       |                                    |
|---------------------------------------|------------------------------------|
| Model                                 | EOS7177-PF                         |
| Application                           | Tap water point-of-use integration |
|                                       | Commercial                         |
| Connection                            | 3/4"                               |
| Flow Rate (at 3 kg/cm <sup>2</sup> )* | 500 - 1000 LPH                     |
| Concentration                         | 1.0 - 1.5**                        |
| Max. Pressure                         | 7 kg/cm <sup>2</sup> (100psi)      |
| Power Supply                          | AC 100-240V, 50/60Hz               |
| Rated Power                           | 100W                               |
| Water Quality                         | Clean Tap Water***                 |
| Water Temperature                     | 1-50°C (34-122°F)                  |
| Dimensions                            | 128.5 x 140 x 210.5 mm             |
| Weight (Net)                          | 2.0 kg                             |
| Protection Class                      | IP56                               |

\* Recommended flow for application

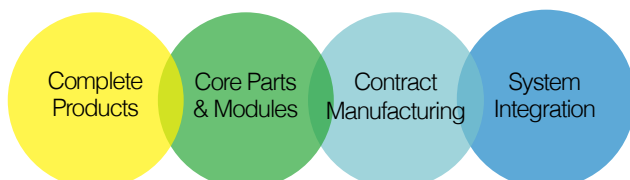
\*\* Total oxidation concentration

\*\*\* Filtered to  $\leq 1\mu\text{m}$ , TDS 60-300 mg / l, Hardness < 180 mg/l as CaCO<sub>3</sub>

Note: FOS does not replace water filtration. For best results, always connect FOS in the water supply behind the filtration system.

## About Us

Since 1988, BES Group has been the global leader in electrolytic technology. Converting water to ultra pure activated-oxygen gas and hydrogen gas is our core technology. Series products include Food Safety & Sanitation, Healthy Environment, Clean Water, and Sanitation & Wellness. All products and components are tested for high performance, safety, and reliability with required certifications from government agencies and leading 3rd party labs.



### BIOSURE North America, LLC.

2020 Babcock Rd., Ste. 25  
San Antonio, Texas - USA

[www.besgroups.com](http://www.besgroups.com)

### Biotek Environmental Science Ltd.

5F, 98 Xingde Rd, Sanchung Dist,  
New Taipei, 24158 Taiwan

[www.besgroups.com](http://www.besgroups.com)

### BES GROUP (AUST) PTY LTD.

Ground Floor, 737 Burwood Rd,  
Hawthorn, VIC 3122 Australia

[www.besgroups.com.au](http://www.besgroups.com.au)

### Manufacturing

4F, 1 Wuzhishan Rd, ETDZ  
Yantai, Shandong 264006 China

[www.besgroup.com.cn](http://www.besgroup.com.cn)

ISO 9001 Certified



Technologies applied are protected by one or more of the following patents: US 8,308,914 B2, US 9,757,697 B2, US 9,248,208 B2

